



27 & 29 Farley Grove SALISBURY NORTH SA

6 2 2

For an in-depth look at this home, please click on the 3D tour for a virtual walk-through or copy and paste this link into your browser

Virtual Tour Link: <https://shorturl.at/b1EM7>

To submit an offer, please copy and paste this link into your browser:

<https://www.edgerealty.com.au/buying/make-an-offer/>

Mike Lao, Brendon Ly and Edge Realty RLA256385 are proud to present to the market two semi detached homes on one title sitting on an expansive 1,170sqm block with a 27.43m approx frontage offering an abundance of development potential (STCA).

Perhaps you want to enjoy this property as a dual investment opportunity or you can take advantage of the

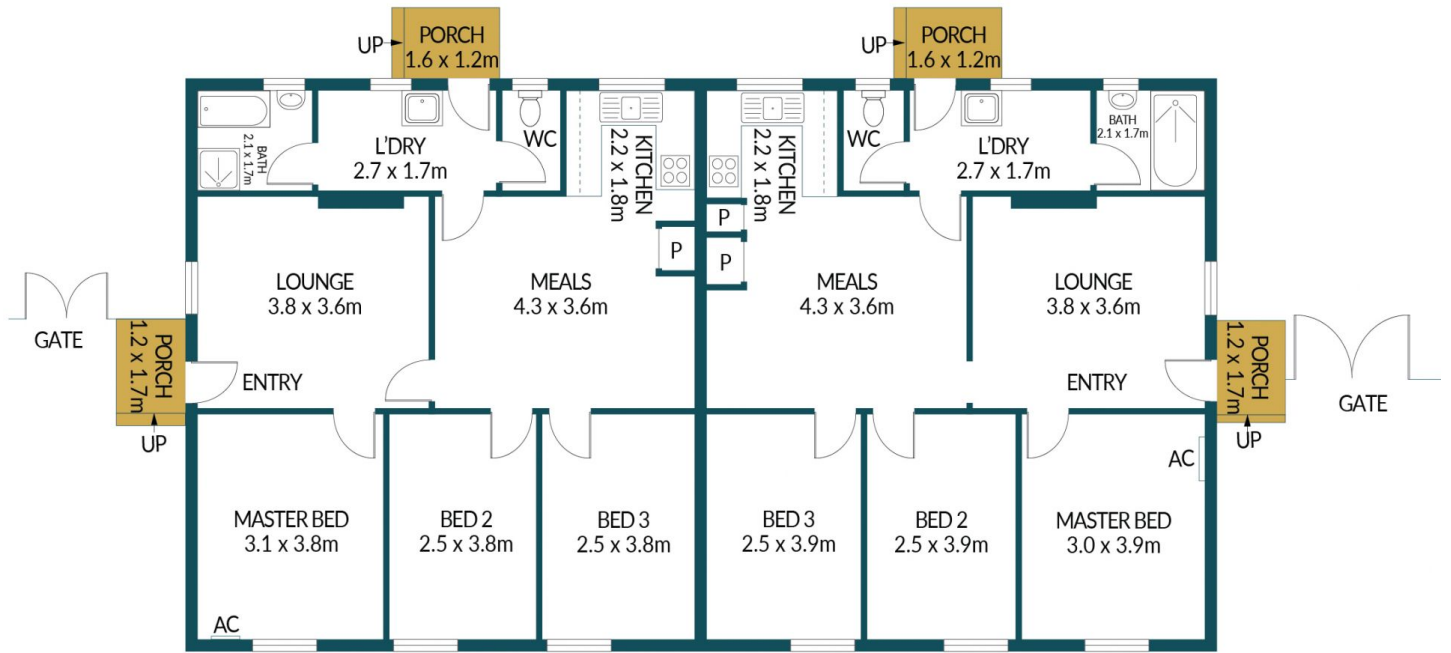
Price : \$ 673,500
Building Size : 177 sqm
Land Size : 1170 sqm
View : <https://www.edgerealty.com.au/sale/sa/north-north-east-suburbs/salisbury-north/residential/house/7832729>



Mike Lao
0410390250



Brendon Ly
0447888444



27 & 29 FARLEY GROVE, SALISBURY NORTH

Disclaimer

Plans shown are for marketing purposes only. All dimensions are approximate and not to scale. They are subject to errors and inaccuracies and no liability will be accepted. Interested parties should make their own enquiries. Inclusions and exclusions must be confirmed in the Residential Contract.

APPROXIMATE DIMENSIONS	
LIVING:	170.0m ²
PORCH:	7.8m ²
TOTAL:	177.8m ²